



Read these instructions before commencing installation. Please give these instructions to the owner/occupier after installation to retain for future reference/maintenance.

IP20 0.3m 240V~50Hz 20W

These fittings are Class I and must be earthed.

Important Information

It is recommended that these luminaires are installed and fitted by a qualified electrician ensuring the installation complies with current IEE wiring regulations & local building control. These products are designed for connection to a 240V~50Hz supply. Any faulty, broken or damaged luminaires should be replaced immediately. KSR will not accept responsibility for any claims arising from a poor installation. Please Note: The limited warranty shall be deemed null and void in the following circumstances: Failure by the installer, end user or any third party to exercise caution to protect any covered product or part from outside damage, adverse temperature (normal operating ambient temperature -15°C - +40°C), humidity conditions, fluctuations in the electrical system or physical abuse as well as failure related to workmanship in the installation of the products or parts.

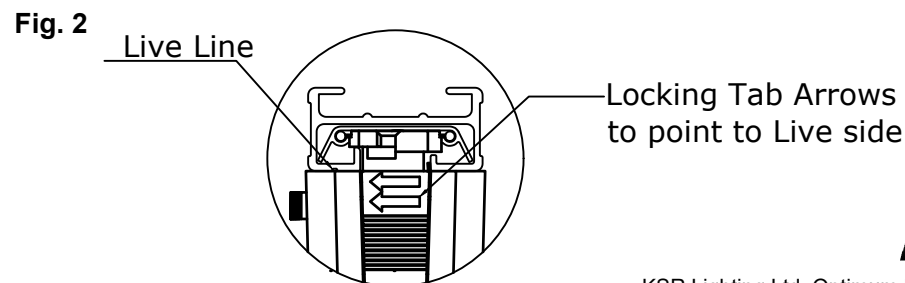
Important User Advice

Always switch off mains supply before servicing. Do not use Megger or similar high voltage instruments. Due to the fact this luminaire contains electronic components that maybe damaged by high test voltages, they must be disconnected from the circuit before testing. To prevent damage to the driver, do not mix with conventional magnetic ballasts on the same electrical circuit. At the end of life the luminaire is classed as WEEE under directive 2014/30/EU and should be disposed of in accordance with local legislation.

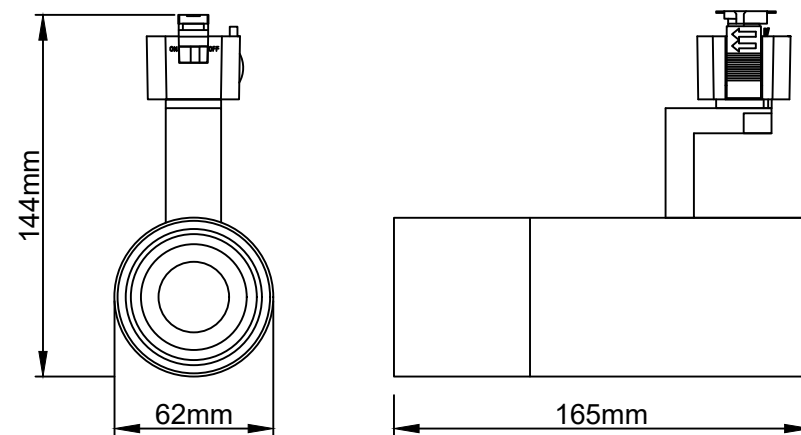
Installation Procedure

Familiarize yourself with the way the luminaire attaches to the track and ensuring the correct polarity. KSR recommend to insert the luminaire into track with the locking tab opposite the Live side (shown by the line on the track) then turn the luminaire clockwise until the locking tab locks into the track, never force the luminaire see Fig.1. Visual confirmation that the luminaire is located correctly is that the arrows on the locking tab should point towards the Live side of the track (shown by the line on the track) see Fig.2. Make sure the locking tab is located in the locked position. Please observe the minimum safe distance from the nearest illuminated surface when setting the beam direction. Adjust beam aim by turning and tilting head of luminaire. Turn on the mains supply and ensure the luminaire is working correctly.

Rotate the front face of the luminaire between 16° and 30° as required for the application.

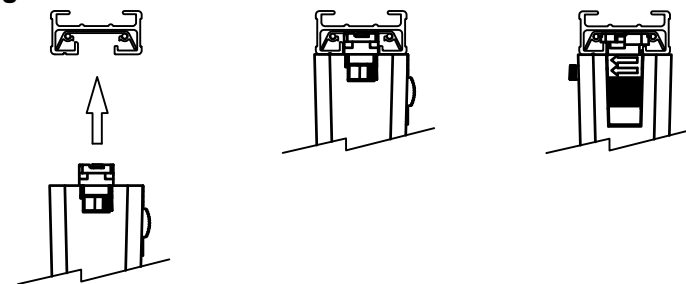


Available Finishes: White or Black



KSR6560/KSR6561

Fig. 1



Luminaire Details

| Product Type | Wattage | Dimmable | CCT | CRI | Lumen output per beam angle | | |
|--------------|---------|----------|-------|---------|-----------------------------|-------------|------------|
| | | | | | ● FL - 30° | ● NFL - 20° | ● SP - 16° |
| KSR6560 | 20W | Yes | 3000K | Ra > 91 | 960lm | 1011lm | 746lm |
| KSR6561 | 20W | Yes | 4000K | Ra > 91 | 960lm | 1011lm | 746lm |

The light source of this luminaire is not replaceable; when the light source reaches its end of life the light source and control gear shall be replaced

