



Read these instructions before commencing installation. Please give these instructions to the owner/occupier after installation to retain for future reference/maintenance.

IP20 240VAC~50Hz 16A

**Important Information**

It is recommended that the track system is installed and fitted by a qualified electrician ensuring the installation complies to current IEE wiring regulations & local building control. These products are designed for use with the Escala Pro single circuit track system only. Any damaged parts should be replaced as soon as possible. KSR will not accept responsibility for any claims arising from a sub-standard installation.

**Important User Advice**

Always switch off mains supply before installing or servicing.  
This product is designed to be used indoors only.

**Installation Procedure**

Remove the dead ends by loosening the retaining screws and sliding out the track.  
Familiarize yourself with the way the L/straight connector connects to the track.  
Convert the L/Straight connector to suit your application as per Fig. 1.  
If using as a live feed connect (L-Live, N-Neutral and Earth cables)  
Insert the L/straight connector into track ensuring that it is inserted with the live connections aligned (The line on the track shows the live side) never force the connector (See Fig.2).  
Tighten locking screws on the connector.  
Fit cover as per application.  
Please note this will add 105mm to the finished length of the track when used as a straight connector or 71mm when used as an L connector.

Available Finishes: White or Black

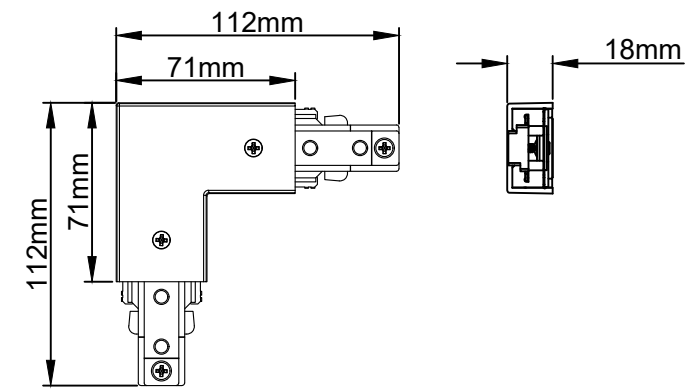
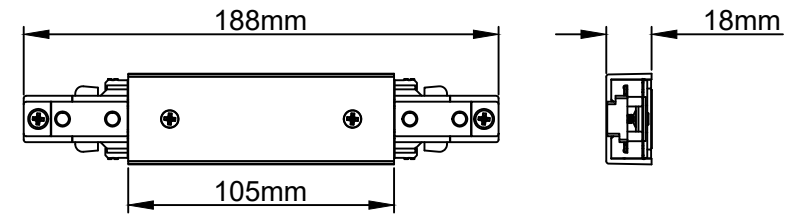


Fig. 2

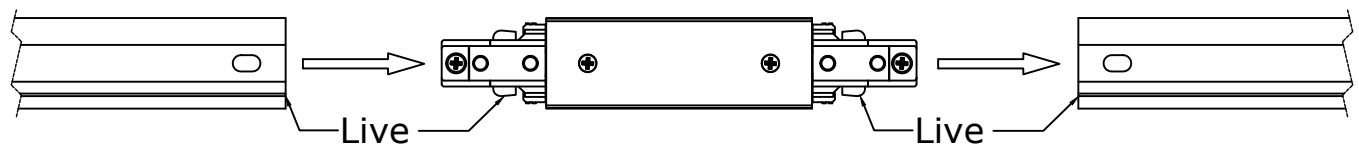
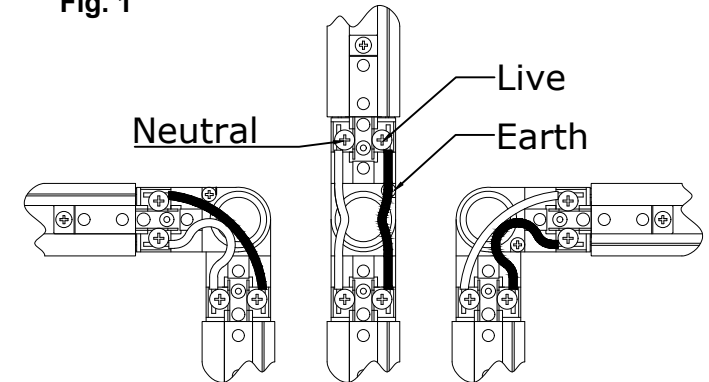


Fig. 1



Note: This shows the covers removed so you can see the wiring detail  
The installation should never be powered up without the covers installed!!

