



Available finish: Black

Read these instructions before commencing installation. Please give these instructions to the owner/occupier after installation to retain for future reference/maintenance.

IP65 240V~50Hz IK10 30W

These fittings are Class I and must be Earthed

### Important Information

It is recommended that these luminaires are installed and fitted by a qualified electrician ensuring the installation complies with current IEE wiring regulations & local building control. These products are designed for connection to a 240V~50Hz supply. Any faulty, broken or damaged luminaires should be replaced immediately.

KSR will not accept responsibility for any claims arising from a poor installation.

Please Note: The limited warranty shall be deemed null and void in the following circumstances: Failure by the installer, end user or any third party to exercise caution to protect any covered product or part from outside damage, adverse temperature, humidity conditions, fluctuations in the electrical system or physical abuse as well as failure related to workmanship in the installation of the products or parts.

### Important User Advice

Always switch off mains supply before installing/servicing.

Do not use Megger or similar high voltage instruments. Due to the fact this product contains electronic components that maybe damaged by high test voltages, they must be disconnected from the circuit before testing.

To prevent damage to the driver, do not mix with conventional magnetic ballasts on the same electrical circuit.

KSR recommends a maintenance schedule of washing down with soapy water (no abrasive cleaners) and greasing all screws every 3 months.

At the end of life the luminaire is classed as WEEE under directive 2014/30/EU and should be disposed of in accordance with local legislation

### Installation Procedure

KSR recommend that you familiarize yourself with the connections.

Safely isolate the mains supply.

Remove the 7 screws that hold the front to the back, retaining the screws. (Fig. 1)

Open the luminaire, secure the luminaire using suitable fixings for the substrate.

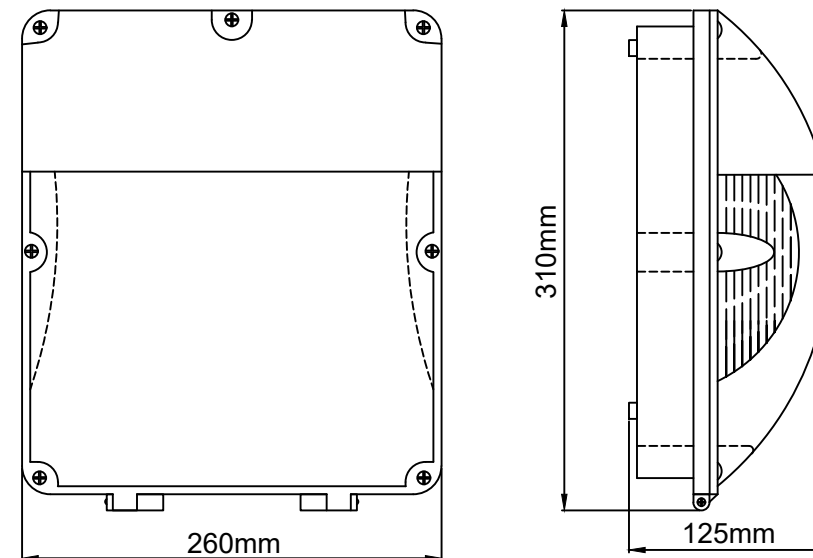
Using a suitable cable gland pass the supply cable through the cable gland and terminate the supply cable into the terminal block (Neutral - Blue, Earth - Green/Yellow and Live - Brown) ensuring a good water tight seal is formed around the cable.

Re-fit the front using the retained screws, ensuring the seal is in place and clean.

Turn on mains supply and test.

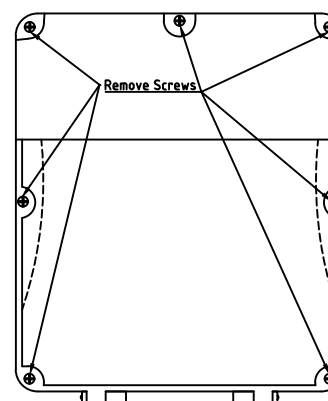
The KSR1166 has a dusk to dawn photocell this will turn the luminaire on at dusk and switch off at dawn.

It will not detect movement but will continually illuminate the area.



KSR1165/KSR1166

Fig. 1



### Lamp Details

Light Source: Dedicated LED  
Wattage: 30W  
Lumen Output: 2031 Lumens  
CRI: 83  
Colour: 4000K

**The light source of this luminaire is not replaceable; when the light source reaches its end of life the whole luminaire shall be replaced**

*This product contains a light source of energy efficiency class G*



KSR Lighting Aftersales: 023 92 674343  
E-mail: aftersales@ksrlighting.com