



Read these instructions before commencing installation. Please give these instructions to the owner/occupier after installation to retain for future reference/maintenance.

IP20/IP65 240V~50Hz 50W Max.

These fittings are Class II and do not require an Earth

**Important Information**

It is recommended that these luminaires are installed and fitted by a qualified electrician ensuring the installation complies with current IEE wiring regulations & local building control. These products are designed for connection to a 240V~50Hz supply.

Any faulty, broken or damaged luminaires should be replaced immediately.

KSR will not accept responsibility for any claims arising from a poor installation.

Please Note: The limited warranty shall be deemed null and void in the following circumstances: Failure by the installer, end user or any third party to exercise caution to protect any covered product or part from outside damage, adverse temperature, humidity conditions, fluctuations in the electrical system or physical abuse as well as failure related to workmanship in the installation of the products or parts.

**Important User Advice**

Always safely isolate the mains supply before installing, servicing or lamp changes.

This luminaire is suitable for indoor use only and is IP rated from the front as per the bezel installed.

Should not be fitted to damp or wet surfaces such as freshly plastered or painted ceilings.

At the end of life the luminaire is classed as WEEE under directive 2014/30/EU and should be disposed of in accordance with local legislation.

**Installation Procedure**

KSR recommends that a sample hole is cut in some scrap material to familiarize yourself with the installation.

Once you are completely satisfied:

Locate the area's suitable to install these luminaires.

Safely isolate the mains supply.

Cut a 72mm round hole in the ceiling and ensure sufficient ceiling void without infringing on joists, water pipes or electrical cables.

To use GU10 lamps a GU10 lampholder and bracket (KSRDL402) is needed along with the bezel of choice. Connect the lampholder to the mains supply (Brown - Live and Blue - Neutral). Snap the terminal cover down until the cable strain relief is gripping the outer insulation and fit the lampholder to the frame by sliding the bracket in to the spring clip please note this will be a tight fit as per Fig. 1.

Fit the frame in to cut-out by pushing the two spring clips up so the run parallel with the frame, feed the springs gently in the cutout and release to let the frame pull itself into place.

The downlight should NOT be covered in mineral wool insulation.

Insert your lamp into the retaining ring on the bezel (sold separately), feed the lamp and lampholder cables into the frame/void and twist the bezel clockwise until resistance is felt, Do not over tighten to ease lamp changes.

Turn on the mains supply to test the luminaire.

Available Bezels:

IP20 - White, Black, Brass, Chrome or Satin Chrome

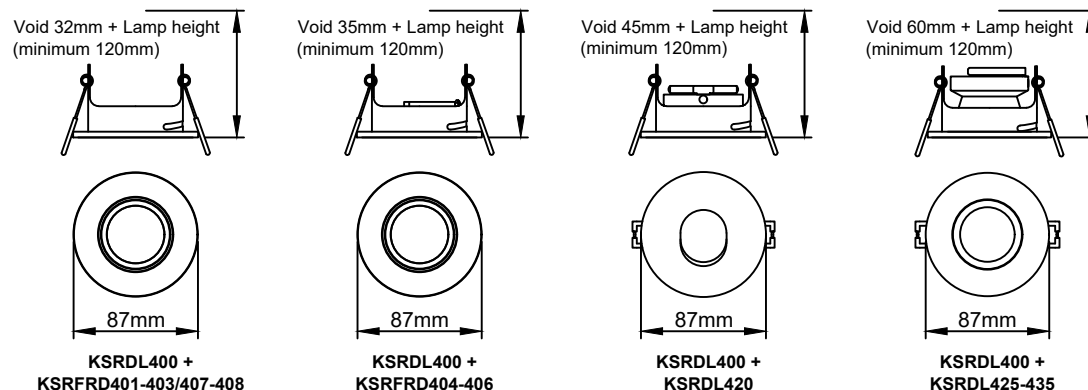
IP65 - White, Chrome or Satin Chrome

IP20 Rim/Baffle - White/White, White/Black, White/Chrome, White/Matt Gold, White/Rose Gold, Black/Black, Black/Chrome, Black/Matt Gold, Black/Rose Gold, Chrome/Black, Satin Chrome/Black or White Pin Wall Wash

ØCut out

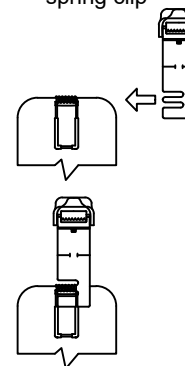


72mm



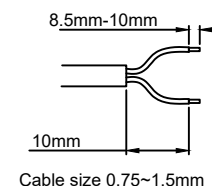
**Fig. 1**

Slide lampholder bracket into spring clip



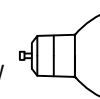
**Installer Note:**

To ensure a good connection strip back a 8.5-10mm of insulation and push the cable firmly into the terminal block.



**Lamp Details**

Lamp Cap: GU10  
Max Wattage: 50W



Suitable for Retrofit LED Lamps



KSR Lighting Aftersales: 023 92 674343

E-mail: aftersales@ksrlighting.com



Read these instructions before commencing installation. Please give these instructions to the owner/occupier after installation to retain for future reference/maintenance.

IP20/IP65 240V~50Hz 5W or 10W

These fittings are Class II and do not require an Earth

### Important Information

It is recommended that these luminaires are installed and fitted by a qualified electrician ensuring the installation complies with current IEE wiring regulations & local building control. These products are designed for connection to a 240V~50Hz supply. Any faulty, broken or damaged luminaires should be replaced immediately. KSR will not accept responsibility for any claims arising from a poor installation. Please Note: The limited warranty shall be deemed null and void in the following circumstances: Failure by the installer, end user or any third party to exercise caution to protect any covered product or part from outside damage, adverse temperature (normal operating ambient temperature -10 - +40°C), humidity conditions, fluctuations in the electrical system or physical abuse as well as failure related to workmanship in the installation of the products or parts.

### Important User Advice

Always safely isolate the mains supply before installing/servicing. This luminaire is suitable for indoor use only and is IP rated from the front as per the bezel installed. Should not be fitted to damp or wet surfaces such as freshly plastered or painted ceilings. Do not use Megger or similar high voltage instruments. Due to the fact this luminaire contains electronic components that maybe damaged by high test voltages, they must be disconnected from the circuit before testing. To prevent damage to the driver, do not mix with conventional magnetic ballasts on the same electrical circuit. At the end of life the luminaire is classed as WEEE under directive 2014/30/EU and should be disposed of in accordance with local legislation.

### Installation Procedure

KSR recommends that a sample hole is cut in some scrap material to familiarize yourself with the installation. Once you are completely satisfied: Locate the area's suitable to install these luminaires. Cut a 72mm round hole in the ceiling and ensure sufficient ceiling void without infringing on joists, water pipes or electrical cables. Fit the frame into cut-out by pushing the two spring clips up so the run parallel with the frame, feed the springs gently in the cutout and release to let the frame pull itself into place. Remove and retain the terminal cover on the primary side of the driver connect the mains supply to the LED Driver (Blue - Neutral, Brown - Live). Earth terminals are provided for earth continuity only. The LED driver allows for mains loop in/loop out connections, if not looping through either of the L,E & N inputs can be used. Refit the terminal cover and push down until the cable strain relief is gripping the outer insulation. If using an optional beam angle lens fit this by removing the white retaining ring on the module by turning anti clockwise, change the lens and refit. Plug the driver into the LED head using the plug and play connector. Insert the driver into the void ensuring adequate free space 75mm all around and 25mm above the fitting. The downlight should NOT be covered in mineral wool insulation. Insert the module into the retaining ring on the bezel (sold separately), cables into the frame/void and twist the bezel clockwise until resistance is felt, Do not over tighten. Turn on the mains supply to test the luminaire.

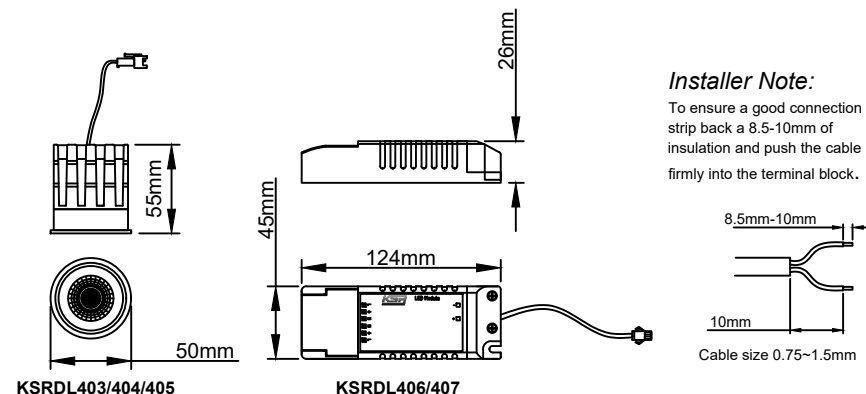
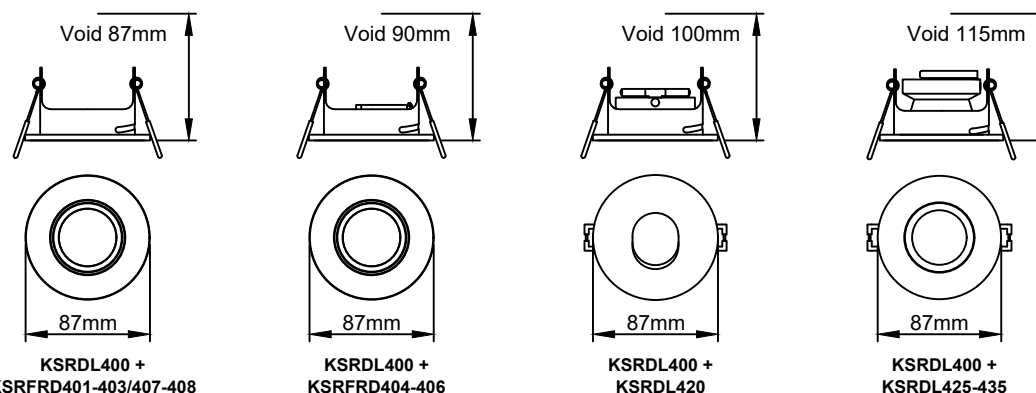
\*Please note: Depending on the amount of fittings on a circuit you may have to upgrade the breaker to a 'C' or 'D' type due to the way electronic equipment starts up with higher inrush currents.

Available Bezels:  
 IP20 - White, Black, Brass, Chrome or Satin Chrome  
 IP65 - White, Chrome or Satin Chrome  
 IP20 Rim/Baffle - White/White, White/Black, White/Chrome, White/Matt Gold, White/Rose Gold, Black/Black, Black/Chrome, Black/Matt Gold, Black/Rose Gold, Chrome/Black, Satin Chrome/Black or White Pin Wall Wash

ØCut out



72mm



#### Installer Note:

To ensure a good connection strip back a 8.5-10mm of insulation and push the cable firmly into the terminal block.

### Module Details

Code	Beam Angle	Dimmable	CCT	Lumen output per head	
				KSRDL406	KSRDL407
KSRDL403	37°	Yes	2700K	565lm	800lm
KSRDL404	37°	Yes	3000K	573lm	862lm
KSRDL405	37°	Yes	4000K	618lm	957lm

KSR Lighting Aftersales: 023 92 674343

E-mail: aftersales@ksrlighting.com

