



Available finish:- Stainless Steel

Read these instructions before commencing installation. Please give these instructions to the owner/occupier after installation to retain for future reference/maintenance.

IP65   12V 0.5W

Important Information

It is recommended that these luminaires are installed and fitted by a qualified electrician ensuring the installation complies with current IEE wiring regulations & local building control. These products are designed for connection to a 12VDC Constant Voltage supply. Any faulty, broken or damaged luminaires should be replaced immediately. KSR will not accept responsibility for any claims arising from a poor installation. Please Note: The limited warranty shall be deemed null and void in the following circumstances: Failure by the installer, end user or any third party to exercise caution to protect any covered product or part from outside damage, humidity conditions, fluctuations in the electrical system or physical abuse as well as failure related to workmanship in the installation of the products or parts.

Important User Advice

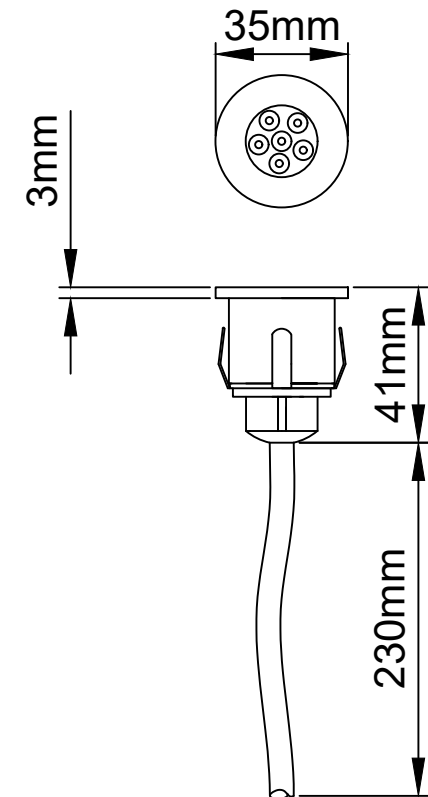
Always safely isolate the mains supply before installing or servicing. Please note this luminaire is non-dimmable. General maintenance and cleaning should be performed at least quarterly. Clean product outer using a damp cloth, the glass can be cleaned with hot soapy water, dried and buffed to a shine. Never use corrosive cleaners on or around the luminaires. KSR recommend protecting from exposure to natural elements in the form of a non-abrasive water repellent protection or good quality metal cleaner. At the end of life the luminaire is classed as WEEE under directive 2014/30/EU and should be disposed of in accordance with local legislation.

Installation Procedure

Familiarize yourself with the luminaire and ensure the power is turned off before installing. We recommend drilling a hole in a scrap piece of material before installing. If installing into composite decking please follow the decking manufactures guidance on installing. This recessed luminaire is not suitable for in ground installations. Take time to check all factory glands are tight and seals are in place. Cut a 32mm hole. Connect using a suitable quality waterproof connector for the application to a suitable LED driver (Red - Positive, Black - 3Negative). Recommended drivers KSRDL283 - up to 10 fittings, KSRDL284 - up to 20 fittings (Please Note: This is a guide only due to KSR Lighting not knowing cable lengths used/Voltage drop of every install). Push fitting into hole, turn on supply and test.

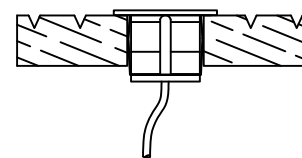
*Please note: Depending on the amount of fittings on a circuit you may have to upgrade the breaker to a 'C' or 'D' type to avoid nuisance tripping.

*This product contains a light source of energy efficiency class G
The light source in this product is Non-replaceable.*



KSR1293

Recommended
for Decking
Installations



Lamp Details

Lamp colours: Warm White 3000K, Cool White 6000K or Blue
LED Wattage: 0.5W

KSR Lighting Aftersales: 023 92 674343
E-mail: aftersales@ksrlighting.com