

Qr PRO Plate GU10

Downlights



Data Sheet

Product Information

The QR Pro GU10 Light Plate fittings are ideal for Commercial and Domestic applications. This fitting can be fitted with 50w GU10 Lamps or LED retrofit lamps.

The light plates are available in 3 variants to meet your requirements Single, Twin & Triple Plates

Complete with a 1 year warranty for your peace of mind.

Product Features

- 1 years warranty
- Class II
- IP20
- 2 Rim Options available: Black & White
- Push to fit wire terminal blocks for ease of wiring for the end user
- 3 versions to choose from: Single, Twin & Triple Plates

Product Specification

Product Code	Product Description	Wattage (W)	CCT (K)	Lumens (lm)	CRI (Ra)	Energy Efficiency Class	Protection Class
KSRDL402	Qr Pro GU10 Lampholder @ Push Fit Terminal Connector Block	50w Max					II
KSRDL440	Qr Pro Single Plate White	50w Max					II
KSRDL441	Qr Pro Single Plate Black	50w Max					II
KSRDL443	Qr Pro Twin Plate White	2x50w max					II
KSRDL444	Qr Pro Twin Plate Black	2x50w max					II
KSRDL446	Qr Pro Triple Plate White	3x50w max					II
KSRDL447	Qr Pro Triple Plate Black	3x50w max					II

Nominal voltage	220~240VAC
Operating frequency	50/60Hz
Power	50w Max
Ambient temperature range	0°C~+40°C
IP rating	20

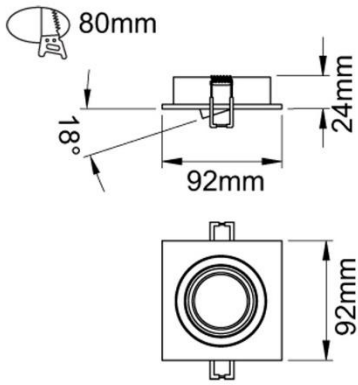
Standards

BSEN60598-1:2021 Luminaires – Part 1: General requirements and tests

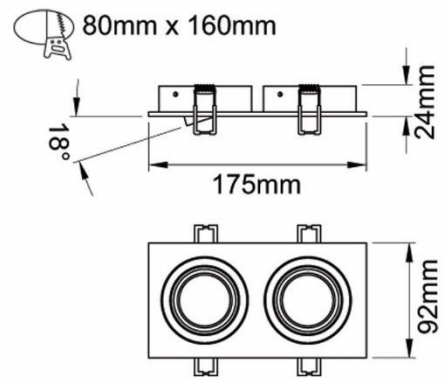
In Conformity with

LVD Low voltage directive 2014/35/EU
EMC Electromagnetic compatibility directive 2014/30/EU
ERP Energy related products directive 2019/2020/EU
RoHS Restriction of hazardous substances 2015/863/EU

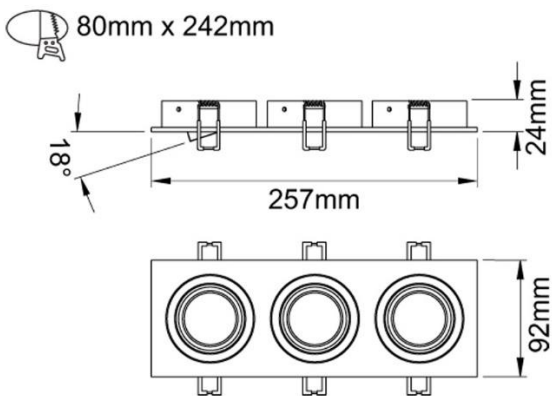
Product Dimensions



KSRDL440-441



KSRDL443-444



KSRDL446-447

KSR Lighting is constantly developing and improving its products. For this reason, all product descriptions in this data sheet are intended as a general guide, and KSR may change specifications from time to time in the interest of product development, without prior notification or public announcement. All descriptions in this data sheet present only general particulars of the goods to which they refer and shall not form part of any contract. Data in this guide has been obtained in controlled experimental conditions. However, KSR Lighting cannot accept any liability arising from the reliance on such data to the extent permitted