



Read these instructions before commencing installation & retain them for future reference.

IP54 Ⓢ Ⓢ Ⓢ 240V 20W LED

These fittings are Class I and must be Earthed

Important Information

It is recommended that luminaires are installed and fitted by a qualified electrician ensuring the installation complies with current IEE wiring regulations & local building control. These products are designed for connection to a 240V 50Hz supply. Any broken or damaged parts should be replaced as soon as possible. KSR will not accept responsibility for any claims arising from a poor installation.

Important User Advice

Always switch off mains supply before servicing.

General Maintenance

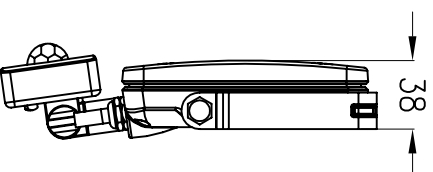
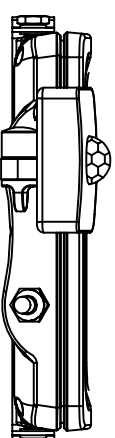
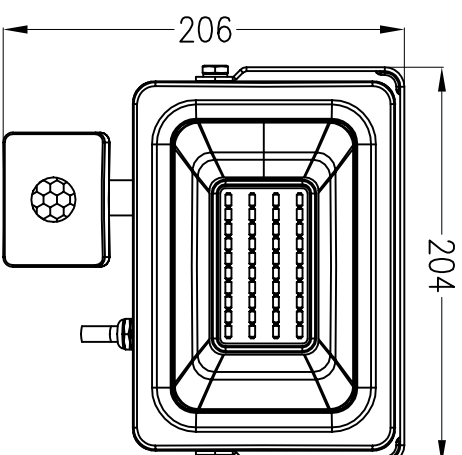
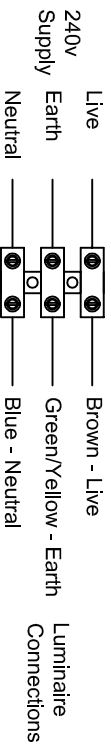
General maintenance and cleaning should be performed at least half annually. Clean product outer using a damp cloth, the glass can be cleaned with hot soapy water, dried and buffed to a shine. After any maintenance remember to check all seals are intact. Grease screws and nuts with a suitable waterproof repellent to ensure trouble free operation in the future.

Installation Procedure

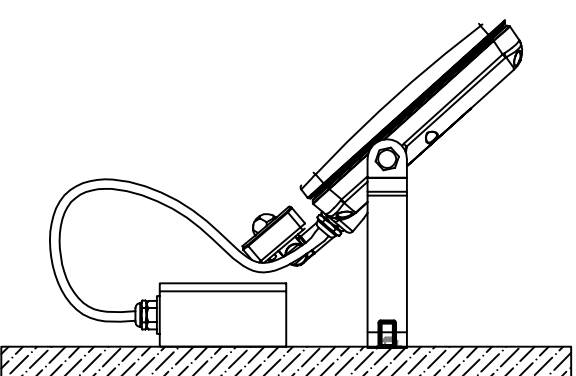
Ensure mains supply is turned off. Locate luminaire, use the mounting bracket as a template to drill holes for wall plugs. Secure the bracket to into position using suitable fixings. Prepare wiring termination, outdoor installations require a suitable IP rated termination box (not supplied). When securing this product to a wall, please remember to allow enough cable to tilt the luminaire to its final resting position. Never allow the mains wiring to become strained. Terminate wiring. Class I Product. This luminaire **must** be earthed.

Turn mains supply on and test luminaire. Finally, adjust the angle of tilt to the required position. This product can be rotated to function as a wall washer if required. Adjust the PIR settings in order to achieve the required performance.

Lock any securing features in place.



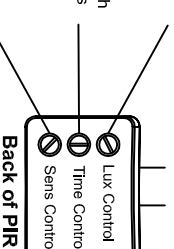
Available finish:- Black & White



Turn to change the level of daylight in which the fitting turns on.

Turn to change the length of time the fitting remains switched on.

Turn to change the level of sensitivity of the sensor



Lamp Details



Lamp: 20w LED 3000K & 6000K
Lumen Output: 2000 lumens

KSR Lighting Aftersales: 023 92 674343
E-mail: info@ksr-lighting.co.uk



Product Information