



Available finish:- Black & White

**Read these instructions before commencing installation & retain them for future reference.**

**IP65 ☎ ☎ ☎ 240V 20W LED**

These fittings are Class I and must be Earthed

**Important Information**

It is recommended that luminaires are installed and fitted by a qualified electrician ensuring the installation complies with current IEE wiring regulations & local building control. These products are designed for connection to a 240V 50Hz supply. Any broken or damaged parts should be replaced as soon as possible. KSR will not accept responsibility for any claims arising from a poor installation.

**Important User Advice**

Always switch off mains supply before servicing.

**General Maintenance**

General maintenance and cleaning should be performed at least half annually. Clean product outer using a damp cloth, the glass can be cleaned with hot soapy water, dried and buffed to a shine. After any maintenance remember to check all seals are intact. Grease screws and nuts with a suitable waterproof repellent to ensure trouble free operation in the future.

**Installation Procedure**

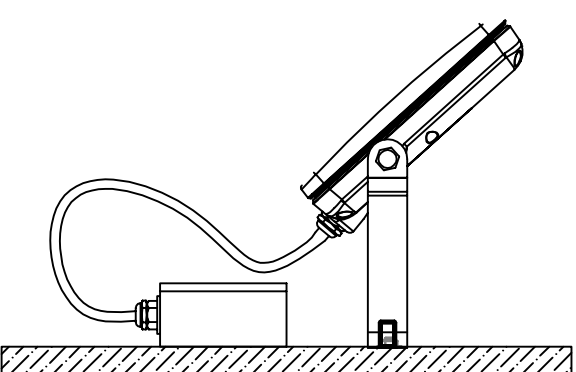
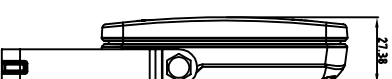
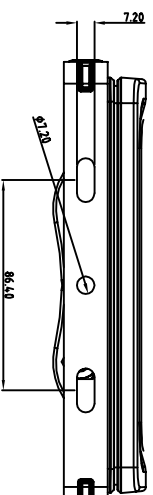
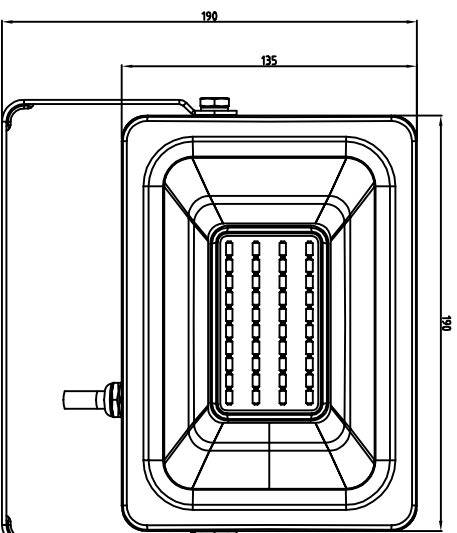
Ensure mains supply is turned off. Locate luminaire, use the mounting bracket as a template to drill holes for wall plugs. Secure the bracket to into position using suitable fixings. Prepare wiring termination, outdoor installations require a suitable IP rated termination box (not supplied).

When securing this product to a wall, please remember to allow enough cable to tilt the luminaire to its final resting position. Never allow the mains wiring to become strained. Terminate wiring. Class I Product. This luminaire **must** be earthed.


Turn mains supply on and test luminaire.

Finally, adjust the angle of tilt to the required position. This product can be rotated to function as a wall washer if required.

Lock any securing features in place.

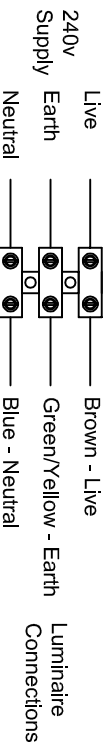


**Lamp Details**



Lamp: 20w LED 3000K & 6000K  
Lumen Output: 2000 lumens

KSR Lighting Aftersales: 023 92 674343  
E-mail: [info@ksr-lighting.co.uk](mailto:info@ksr-lighting.co.uk)



Product Information