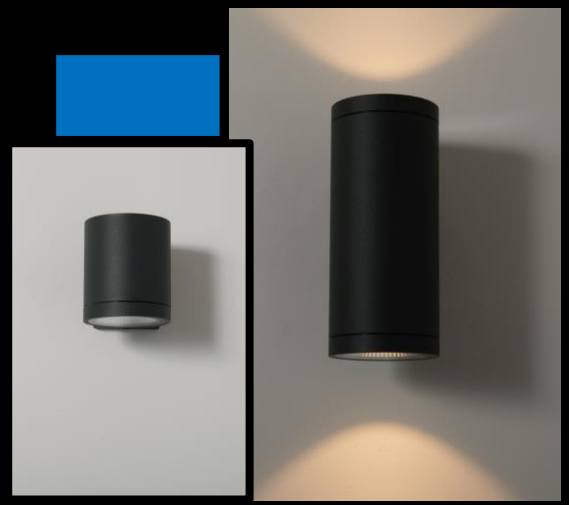




Moby LED Wall light

Exterior Wall Lighting



Data Sheet

Product Information

The Moby LED wall lights are suitable for highlighting wall features for commercial and domestic applications. Also available in 2 versions a down light and an Up/Down light.

With its Die-cast design and anodization this fitting is suitable for Coastal areas.

Product Features

- 2 year warranty
- IP55
- Class I
- 55° Beam angle
- 9w 3000K LED head
- CRI: ra82
- Strong Cast Aluminium Body
- Integrated non-dimmable driver
- Life Expectancy up to 40,000hrs



www.ksrlighting.com

Product Specification

Product Code	Product Description	Wattage (W)	CCT (K)	Lumens (lm)	CRI (Ra)	Energy Efficiency Class	Protection Class
KSR7170	Moby 9w LED Wall Downlight	9w	3000	850	82	A+	I
KSR7171	Moby 9w LED Wall Up & Downlight	18w	3000	1700	82	A+	I

Technical data	Moby Down	Moby Up/Down
Nominal voltage	220~240VAC	220~240VAC
Operating frequency	50/60Hz	50/60Hz
Circuit Wattage	9w	18w
Circuit Current	0.12A	0.06A
Driver mA Rating	500mA	250mA
PFC	0.95	0.95
In Rush Current	0.45A max peak	0.45A max peak
Ambient temperature range	-20°C to +55°C	-20°C to +55°C
IP rating	55	55

Construction

Body: Cast Aluminium
 Lens: Clear Glass

Standards

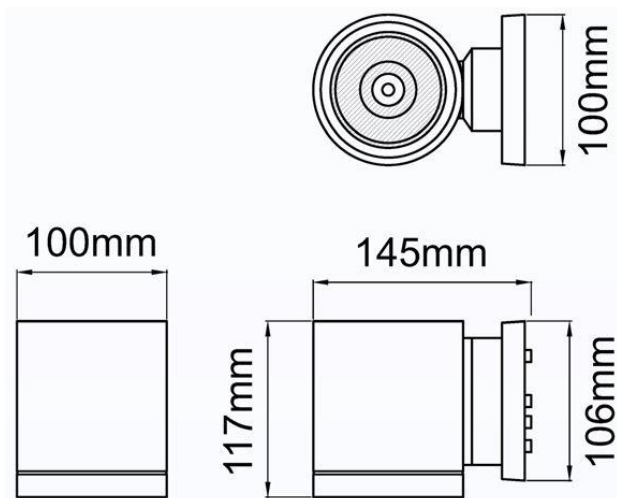
BSEN60598-1:2015 Luminaires – Part 1: General requirements and tests

In Conformity with

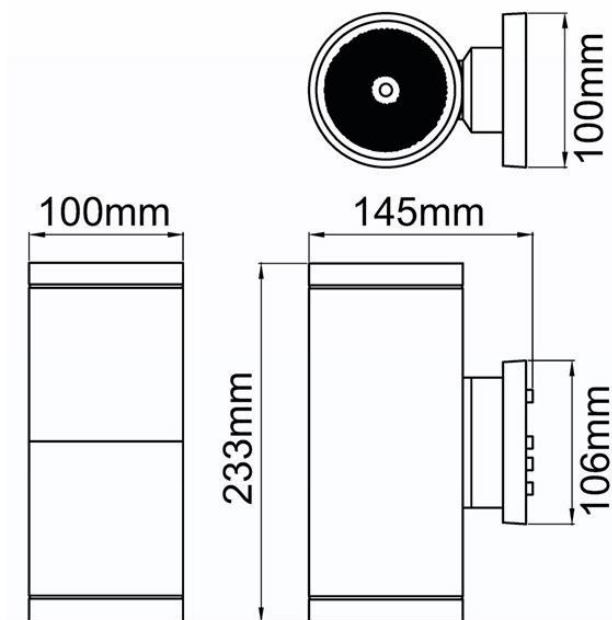
LVD Low voltage directive 2014/35/EU
 EMC Electromagnetic compatibility directive 2014/30/EU
 ERP Energy related products directive 2009/125/EC
 RoHS Restriction of hazardous substances 2011/65/EU

Product Dimensions

KSR7170



KSR7171



KSR Lighting is constantly developing and improving its products. For this reason, all product descriptions in this data sheet are intended as a general guide, and KSR may change specifications from time to time in the interest of product development, without prior notification or public announcement. All descriptions in this data sheet present only general particulars of the goods to which they refer and shall not form part of any contract. Data in this guide has been obtained in controlled experimental conditions. However, KSR Lighting cannot accept any liability arising from the reliance on such data to the extent permitted.