

# Milan Range

Wall Lights



Data Sheet

## Product Information

The Milan LED wall lights are modern high output luminaires. Available in two variants including an option of dual USB charging sockets. Designed for areas such as hotels, residential bedrooms, etc.

Comes with a 2 year warranty for your peace of mind.

## Product Features

- 2 year warranty
- High efficiency
- IP20
- Instant on
- Life expectancy up to 30,000 hours
- CRI: Ra93
- Non-Dimmable
- Fully integrated driver



# Product Specification

Product Code	Product Description	Wattage (W)	CCT (K)	Lumens (lm)	CRI (Ra)	Energy Efficiency Class	Protection Class	USB Output
KSR7285	Milan 5W 3000K LED Bedside Shelf Light with USB Ports	5	3000	380	93	A+	I	2x 5V DC 2A
KSR7286	Milan 5W 3000K LED Bedside Light	5	3000	300	93	A+	I	N/A

	Milan Bedside Shelf light	Milan Bedside light
Nominal voltage	220-240VAC	220~240VAC
Operating frequency	50/60Hz	50/60Hz
Circuit Wattage	6.7w including driver losses	6.5w including driver losses
Circuit Current	0.04A	0.03A
Driver Current Rating	400mA	500mA
PFC	0.65	0.88
In Rush Current	0.506A Max Peak	0.497A Max Peak
Ambient temperature range	-20°C to +40°C	-20°C to +40°C
IP rating	20	20

## Construction

Body: Aluminium

## Standards

BSEN60598-1:2015 Luminaires – Part 1: General requirements and tests

## In Conformity with

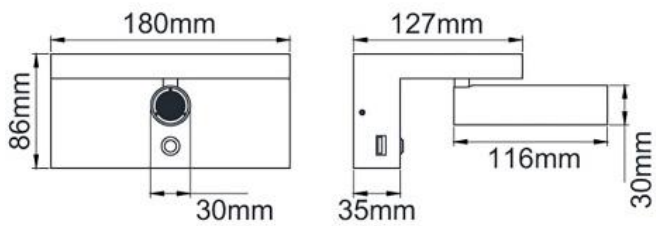
LVD Low voltage directive 2014/35/EU  
 EMC Electromagnetic compatibility directive 2014/30/EU  
 ERP Energy related products directive 2009/125/EC  
 RoHS Restriction of hazardous substances 2011/65/EU

## Dimming

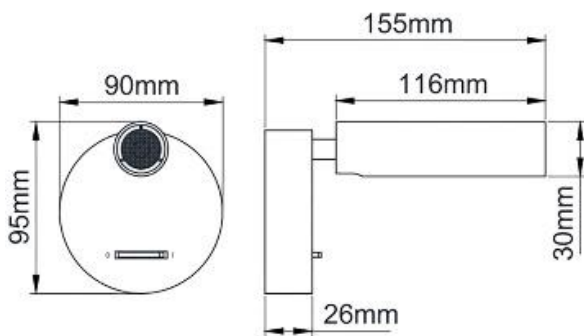
KSR7285 Step dimmer switch (off, 25%, 50% or 100%)

# Product Dimensions

## KSR7285



## KSR7286



KSR Lighting is constantly developing and improving its products. For this reason, all product descriptions in this data sheet are intended as a general guide, and KSR may change specifications from time to time in the interest of product development, without prior notification or public announcement. All descriptions in this data sheet present only general particulars of the goods to which they refer and shall not form part of any contract. Data in this guide has been obtained in controlled experimental conditions. However, KSR Lighting cannot accept any liability arising from the reliance on such data to the extent permitted.